

DM200A Bluetooth Module

APPLICATIONS

- Personal Hands-Free Devices
- In-Vehicle Car Kits
- Smart Phones
- Navigation Devices w/ Bluetooth Audio Capability
- Netbooks / Ultra Mobile Devices

FEATURES

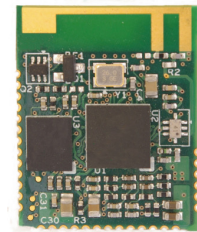
- Single Package Module with on-board printed antenna
- Supports Bluetooth Version 2.0 w/ EDR
- CSR BC05MM Bluetooth engine
- Low current consumption, Class 2 operation
- 2 Megabyte on-board Flash Memory
- UART & USB interfaces
- 2 microphone input / speaker output
- Supports HFP, A2DP & AVRCP profiles
- Supports WiFi co-existence
- RoHS Compliant

CONTACT DETAILS

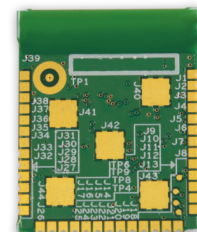
Delta Mobile Systems
700 Remington Road
Schaumburg, IL 60173
PH: 847-884-6750 ext: 200
FAX: 847-387-5525
EMAIL: info@deltamobile.com

Delta Mobile Systems DM200A Bluetooth Module provides a fully integrated solution for those companies looking for a “time-to-market” advantage using a small footprint, cost effective Bluetooth solution for their products. The DM200A comes with an on-board integrated antenna, providing a true drop in solution in a single small footprint package. The DM200A Bluetooth Module has been designed for re-flow onto customer’s main board for a compact highly integrated Bluetooth solution.

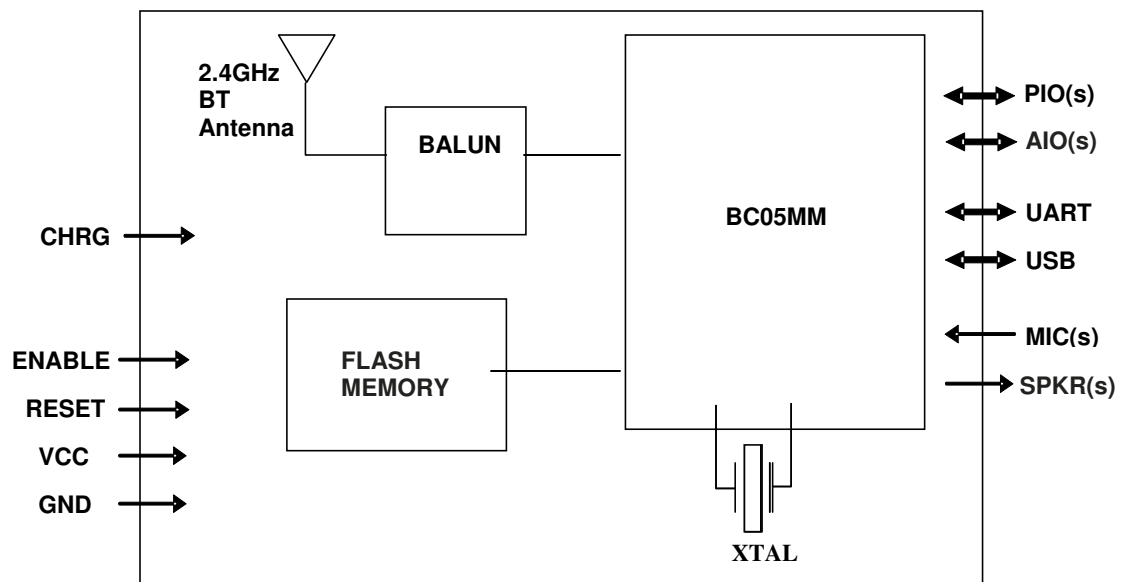
Note: DM200A antenna tuning may be needed based on the final enclosure and application.



DM200A Bluetooth Module (top)



DM200A Solder Side



Functional Block Diagram

Technical Specifications

CONTACT DETAILS

Delta Mobile Systems
700 Remington Road
Schaumburg, IL 60173
PH: 847-884-6750 ext: 200
FAX: 847-387-5525
EMAIL: info@deltamobile.com

For more information on any of
our products or services please
visit us on the Web at:
www.deltamobile.com

DM200A Minimum / Maximum Ratings

Rating	Value	Units
Supply Voltage	3.1 to 4.7	Volts
Operating Temperature	-20° to +70°	Celsius
Storage Temperature	-40° to +85°	Celsius

DM200A Characteristics

Characteristic	Specification
Module Size	25mm x 20mm x 4.0mm
Bluetooth Chipset	CSR BC05MM
RX Sensitivity	- 85dBm (max)
Range	10 meters nominal, Class 2 Bluetooth
Communication Interface	UART USB
Audio Interface	Mic1+, Mic1-, Mic2+, Mic2- Aud1+, Aud1-, Aud2+, Aud2-
Input / Output	14 Digital Programmable I/O 2 Analog I/O
Frequency	2.400 – 2.485 GHz
Max Data Rate	3 Mbps (raw data rate)
Flash Memory	2 MByte on module
Pin Footprint	Castellation, 39 pins
Product Packaging	Packed in Tray

Note: This specification is subject to change without notice.