

DM300A WiFi Module

APPLICATIONS

- Machine-to-Machine (M2M)
- Wireless Communication Gateways
- Remote Monitoring
- Secure Data Transfer
- Asset Tracking
- Ultra Mobile Devices

FEATURES

- Low power 802.11b/g
- On-board ARM9 processor and additional memory capacity
- WiFi encryption: WEP, WPA, WPA2
- UART, USB 2.0, I2C, SSI, GPIO, A/D Interfaces
- On-board web server for configuration
- Single Package Module with on-board trace antenna
- Built-in antenna switch for external antenna use
- RoHS Compliant

CONTACT DETAILS

Delta Mobile Systems
700 Remington Road
Schaumburg, IL 60173
PH: 847-884-6750 ext: 200
FAX: 847-387-5525
EMAIL: info@deltamobile.com

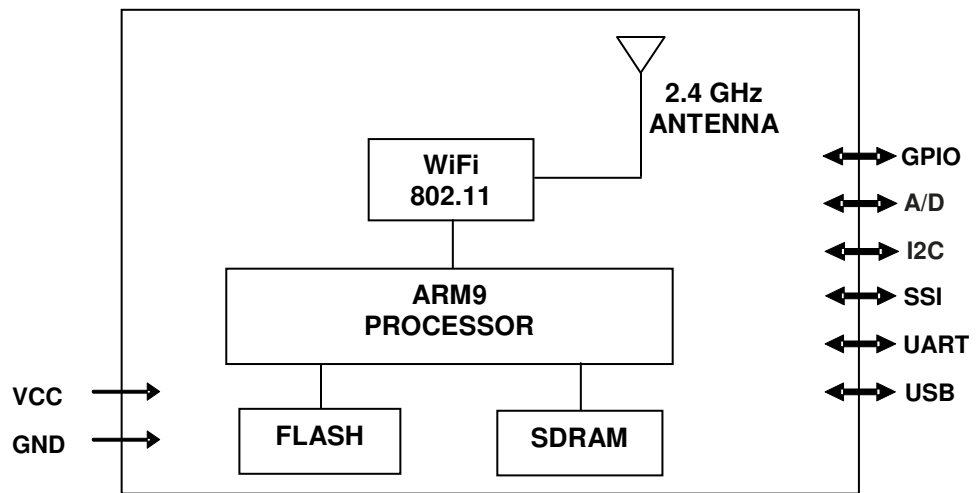
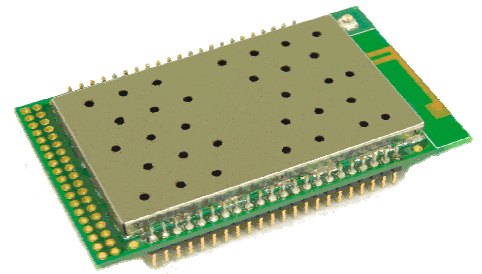
Delta Mobile Systems DM300A WiFi Module provides a fully integrated solution for those companies looking for a “time-to-market” advantage using a flexible, customizable, cost effective WiFi solution for their products.

DM300A enables connectivity for M2M products, communication gateways, and other embedded devices. In addition to the low power 802.11b/g chipset, the module features an ARM9 processor and additional memory capacity to support custom applications. An example application is translating data on an external wired interface (UART, USB, I2C, GPIO, etc.) to the WiFi network.

An on-board web server provides configuration access. For secure applications, standard WiFi encryption (WEP, WPA, WPA2) and authentication are supported. Additional security layers may be implemented at the application level via custom applications.

Providing a true drop in solution with the antenna and RF circuitry in a single small footprint package, the DM300A offers ease of integration and shorter design cycles for faster time-to-market.

Note: DM300A antenna tuning may be needed based on the final enclosure and application.



Functional Block Diagram

Technical Specifications

CONTACT DETAILS

Delta Mobile Systems
700 Remington Road
Schaumburg, IL 60173
PH: 847-884-6750 ext: 200
FAX: 847-387-5525
EMAIL: info@deltamobile.com

For more information on any of
our products or services please
visit us on the Web at:
www.deltamobile.com

DM300A Minimum / Maximum Ratings

Rating	Value	Units
Operating Voltage	3.3 to 4.2	Volts
Operating Temperature Consumer Industrial	0° to +70° -40° to +85°	Celsius
Storage Temperature	-40° to +105°	Celsius

DM300A Characteristics

Characteristic	Specification
Size	65 x 39mm
Transmit Power	1mW to 25mW (0 to 14dBm)
Receiver Sensitivity	54Mbps OFDM, -70dBm 11 Mbps CCK, -85dBm
Supply Current (typical, 3.7V operating voltage)	Transmit mode, 275mA @14dBm Receive mode, 220mA
Antenna	Onboard trace antenna Option to connect external antenna
Input / Output Interfaces	UART, I2C, SSI, USB 2.0 (host and device, high speed), GPIO, A/D
Communication Protocols	TCP/IP and UDP, DHCP client and server, HTTP client and server, PPP, DNS, SSH, FTP, AT command interface
WiFi Encryption	WEP, WPA, and WPA2
Statistics / Diagnostics	Support the display and resetting of operational information and statistics via a Web Browser

Note: This specification is subject to change without notice.